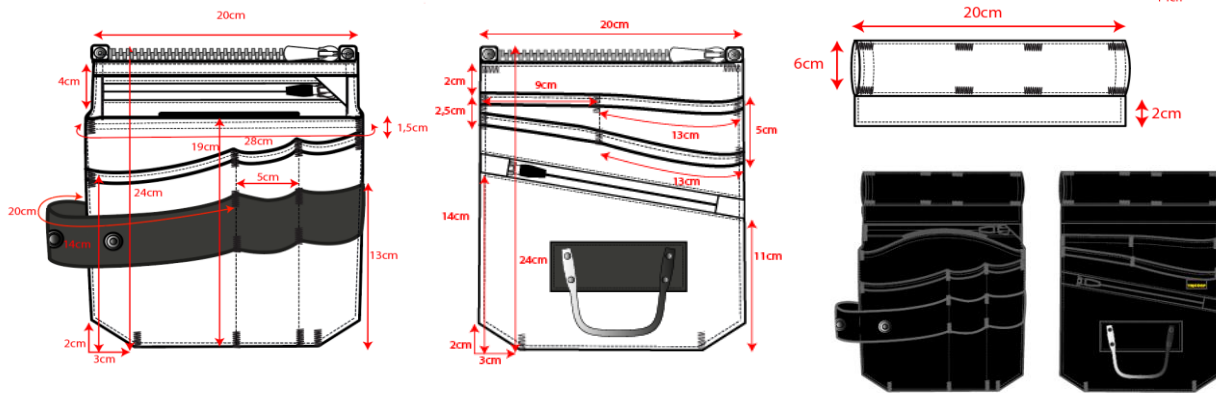


Production Size Specification

TRICORP



STYLE NO	652011
STYLE DESCRIPTION	Swing Pockets Cordura Luxe
FIT	Accessories
GENDER	unisex
DATE	30-12-2021
VERSION	V1

Sketch is for how to measure NOT for style

												One size				Toi				AQM
1	Length											24				0,5				X
2	Width											20				0,5				X