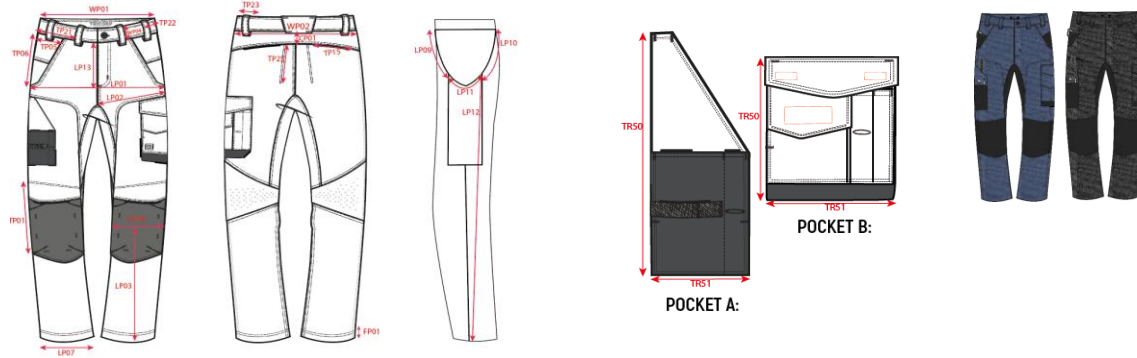


TRICORP

Production Size Specification



STYLE NO	506121
STYLE DESCRIPTION	Work pants denim knee pockets
FIT	Pants
GENDER	Unisex
DATE	24-11-2025
VERSION	V1

Size	Short	21	22	23	24	25	26	27	28	29									
Size	Normal	42	44	46	48	50	52	54	56	58	60	62	64	66					
Size	Long	43	45	47	49	51	53	55	57	59									
Measurements																		AQM	
WP01	1/2 Waistbant Top	36.6	38.6	40.6	42.8	45.0	47.2	49.3	51.5	53.7	56.7	59.9	63.1	66.3				1.0	X
LP01	1/2 Hip (under zip)	49.0	50.5	52.0	53.5	55.0	56.5	58.0	59.5	61.0	63.5	66.0	68.5	71.0				1.0	X
LP12	Inseam short Inseam regular measured at back leg 30 INCH	76.4	76.4	76.5	76.5	76.5	76.5	76.6	76.6	76.7	76.8	77.0	77.1	77.3				0.5	X
LP12	Inseam regular Inseam regular measured at back leg 32 INCH	81.4	81.4	81.5	81.5	81.5	81.5	81.6	81.6	81.7	81.8	82.0	82.1	82.3				0.5	X
LP12	Inseam long Inseam regular measured at back leg 34 INCH	86.4	86.4	86.5	86.5	86.5	86.5	86.6	86.6	86.7	86.8	87.0	87.1	87.3				0.5	X