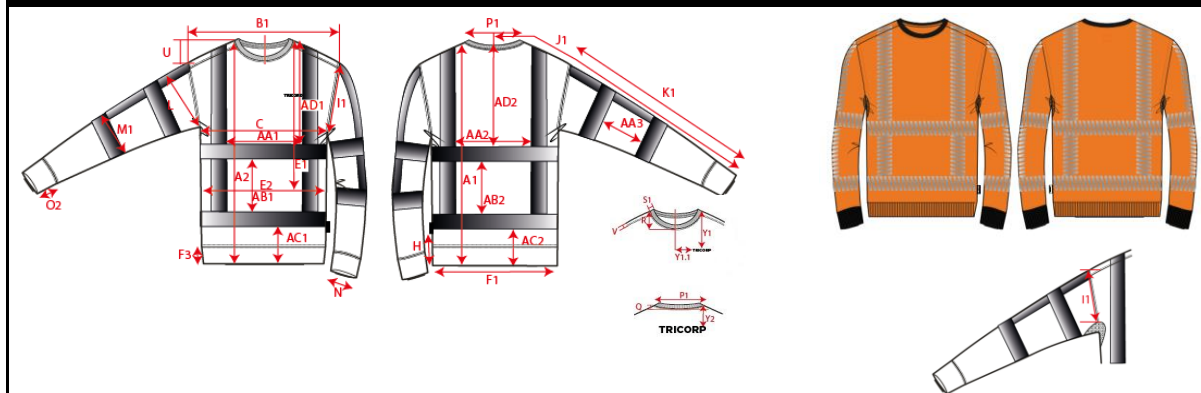


Production Size Specification

TRICORP



STYLE NO	303702
STYLE DESCRIPTION	Sweater RWS Re-visible
FIT	Sweater
GENDER	Unisex
DATE	24-3-2023
VERSION	V3

Sketch is for how to measure NOT for style

		XS	S	M	L	XL	XXL	3XL	4XL	5XL	6XL	7XL	8XL	Tol				AQM
		177	179	181	183	185	187	189	191	193	193	193	194					
A1	Total backl meas from hsp	71	73	75	77	79	81	83	85.5	86.75	88	89.25	92.5	1.0				X
B1	Shoulder to shoulder	41.5	44	46.5	49	51.5	54	56.5	58.5	60.5	62.5	64.5	66.5	1.0				X
C	1/2 chest (at armhole)	48	52	56	60	64	68	72	78	84	90	96	102	1.0				X
K1	Upper arm length long sleeve	69	70	70	71	72	73	73	74	75	75	75	75	0.5				X
AA1	Distance between vertical striping front	24	26	28	30	32	34	36	37.5	39	40.5	42	43.5	0.3				
AA2	Distance between vertical striping back	26.5	28.5	30.5	32.5	34.5	36.5	38.5	40	41.5	43	44.5	46	0.3				
AB1	Distance between horizontal striping front	14.5	15	16.25	17.5	18.5	19.5	20.5	21.75	21.25	20.75	20.25	21.75	0.3				
AB2	Distance between horizontal striping back	14.5	15	16.25	17.5	18.5	19.5	20.5	21.75	21.25	20.75	20.25	21.75	0.3				
AD1	Position measured from HSP Front	36.5	38	38.75	39.5	40.5	41.5	42.5	43.75	45.5	47.25	49	50.75	0.3				
AD2	Position measured from CB neck	34	35.5	36.25	37	38	39	40	40.75	42.5	44.25	45.5	47.25	0.3				