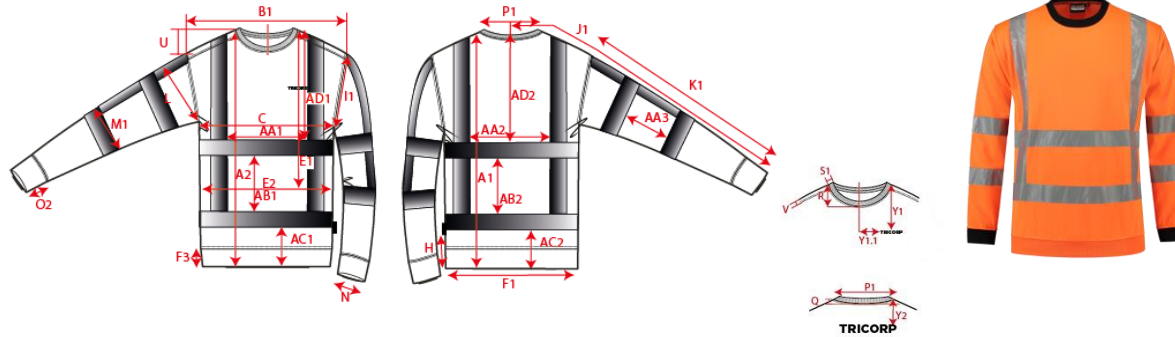


Production Size Specification

TRICORP



STYLE NO	303001
STYLE DESCRIPTION	Sweater RWS
FIT	Sweater
GENDER	Unisex
DATE	17-2-2023
VERSION	V2

Sketch is for how to measure NOT for style

	XS	S	M	L	XL	XXL	3XL	4XL	5XL	6XL	7XL	8XL		Tot				AQM
	177	179	181	183	185	187	189	191	193	193	193	194						
A1	Total backl meas from hsp	74.00	75.00	76.00	77.00	79.00	81.00	83.00	85.50	86.75	88.00	89.25	92.50	1,0				X
B1	Shoulder to shoulder	47.25	48.50	49.75	51.00	53.50	56.00	58.50	60.50	62.50	64.50	66.50	68.50	1,0				X
C	1/2 chest (at armhole)	54.00	56.00	58.00	60.00	64.00	68.00	72.00	78.00	84.00	90.00	96.00	102.00	1,0				X
K1	Upper arm length long sleeve	67.50	68.50	68.50	69.50	70.50	71.50	71.50	72.50	73.50	73.50	73.50	73.50	0,5				X
AA1	Distance between vertical striping front	27.00	28.00	29.00	30.00	32.00	34.00	36.00	37.50	39.00	40.50	42.00	43.50	0,3				
AA2	Distance between vertical striping back	28.50	29.50	30.50	31.50	33.50	35.50	37.50	39.00	40.50	42.00	43.50	45.00	0,3				
AA3	Distance between horizontal striping sleeve	24.00	24.00	24.50	25.00	26.00	27.00	28.00	29.00	28.30	27.60	26.90	26.90	0,3				
AB1	Distance between horizontal striping front	21.00	21.00	21.50	22.00	23.00	24.00	25.00	26.25	25.75	25.25	24.75	26.25	0,3				
AB2	Distance between horizontal striping back	21.00	21.00	21.50	22.00	23.00	24.00	25.00	26.25	25.75	25.25	24.75	26.25	0,3				
AC1	Position from hem front at sideseam	9.00	9.00	9.00	9.00	9.00	9.00	9.00	9.00	9.00	9.00	9.00	9.00	0,3				
AC2	Position from hem back at sideseam	9.00	9.00	9.00	9.00	9.00	9.00	9.00	9.00	9.00	9.00	9.00	9.00	0,3				
AD1	Position measured from HSP Front	34.0	35.0	35.5	36.0	37.0	38.0	39.0	40.3	42.0	43.8	45.5	47.3	0,3				
AD2	Position measured from CB neck	31.5	32.5	33.0	33.5	34.5	35.5	36.5	37.3	39.0	40.8	42.0	43.8	0,3				