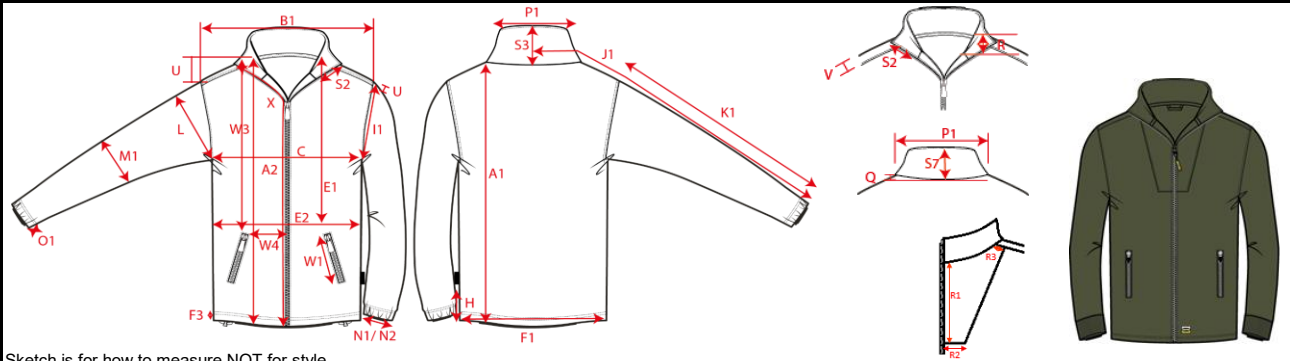


Production Size Specification

TRICORP



Stylenumber:	302010
Styledescription:	Fleece Vest Interlock
Productgroup:	Vesten
Label:	Unisex
Sexe:	22-5-2023
Fabric Description:	V3

Sketch is for how to measure NOT for style

		XS	S	M	L	XL	XXL	3XL	4XL	5XL	6XL	7XL	8XL	Tol				AQM
		177	179	181	183	185	187	189	191	193	193	193	194					
A1	Total backl meas from hsp	69	71	73	75	77	79	81	83,5	84,75	86	87,25	90,5	1,0				X
B1	Shoulder to shoulder	41	43,5	46	48,5	51	53,5	56	58	60	62	64	66	1,0				X
C	1/2 chest (at armhole)	46	50	54	58	62	66	70	76	82	88	94	100	1,0				X
K1	Upper arm length long sleeve	68,75	69,75	69,75	70,75	71,75	72,75	72,75	73,75	74,75	74,75	74,75	74,75	0,5				X