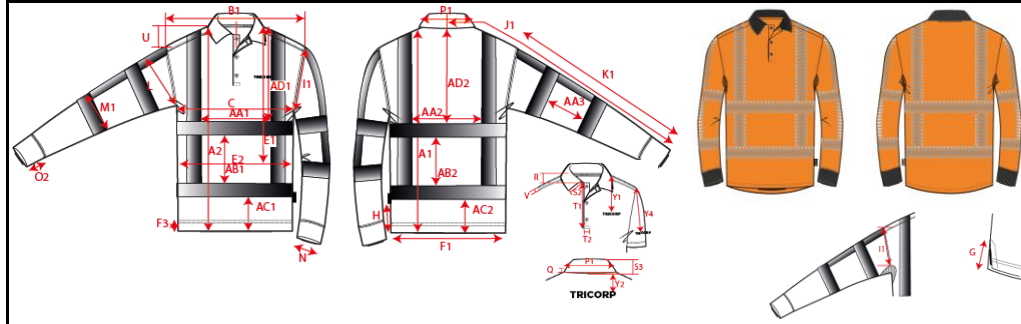


Production Size Specification

TRICORP



STYLE NO	203702
STYLE DESCRIPTION	Poloshirt Lange Mouw RWS Re-visible
FIT	Polo
GENDER	Unisex
DATE	26-6-2024
VERSION	V1

Sketch is for how to measure NOT for style

	XS	S	M	L	XL	XXL	3XL	4XL	5XL	6XL	7XL	8XL	Tol					AQM
A1	71	73	75	77	79	81	83	85.5	86.75	88	89.25	92.5	1.0					X
B1	39.5	42	44.5	47	49.5	52	54.5	56.5	58.5	60.5	62.5	64.5	1.0					X
C	45	49	53	57	61	65	69	75	81	87	93	99	1.0					X
F1	45	49	53	57	61	65	69	75	81	87	93	99	1.0					
AA1	19	21	23	25	27	29	31	32.5	34	35.5	37	38.5	0.5					
AA2	21.5	23.5	25.5	27.5	29.5	31.5	33.5	35	36.5	38	39.5	41	0.5					X
AA3	22.5	23	22	22.5	23	23.5	23	23	24	23.5	23	22.5						
AB1	14.5	15	16.25	17.5	18.5	19.5	20.5	21.75	21.25	20.75	20.25	21.75	0.5					X
AB2	14.5	15	16.25	17.5	18.5	19.5	20.5	21.75	21.25	20.75	20.25	21.75	0.5					X
AC1	13	13	13	13	13	13	13	13	14.75	16.5	18.25	19.5	0.5					X
AC2	13	13	13	13	13	13	13	13	13	13	13	13	0.5					X
AD1	33.5	35.0	35.8	36.5	37.5	38.5	39.5	40.8	42.5	44.3	46.0	47.8	0.5					X
AD2	31.5	33.0	33.8	34.5	35.5	36.5	37.5	38.3	40.0	41.8	43.0	44.8	0.5					X
Striping height	5	5	5	5	5	5	5	5	5	5	5	5	0.3					X