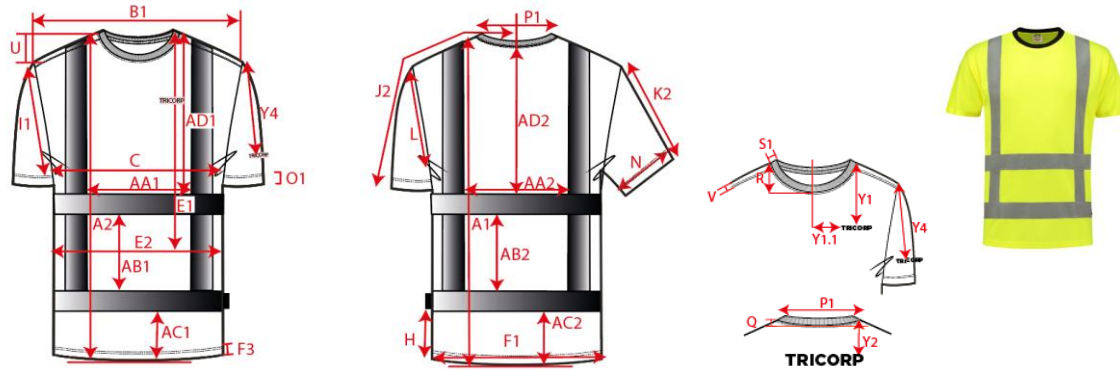


Production Size Specification

TRICORP



STYLE NO	103005
STYLE DESCRIPTION	T-Shirt RWS Birdseye
FIT	T-shirts
GENDER	Unisex
DATE	1-2-2021
VERSION	V1

Sketch is for how to measure NOT for style

		XS	S	M	L	XL	XXL	3XL	4XL	5XL	6XL	7XL	8XL	Tol				
		177	179	181	183	185	187	189	191	193	193	193	194					
A1	Total backl meas from hsp	75	76	77	78	80	82	84	86.5	87.75	89	90.25	93.5	1.0				
B1	Shoulder to shoulder	43.25	44.50	45.75	47.00	49.50	52.00	54.50	56.50	58.50	60.50	62.50	64.50	1.0				
C	1/2 chest (at armhole)	50	52	54	56	60	64	68	74	80	86	92	98	1.0				
K2	Upper arm length short sleeve	23.25	23.5	23.75	24	24.5	25	25.5	26	26.5	27	27.5	28	0.3				
AA1	Distance between vertical striping front	23.00	24.00	25.00	26.00	28.00	30.00	32.00	33.50	35.00	36.50	38.00	39.50	0.3				
AA2	Distance between vertical striping back	24.75	25.75	26.75	27.75	29.75	31.75	33.75	35.25	36.75	38.25	39.75	41.25	0.3				
AB1	Distance between horizontal striping front	19.60	19.90	20.50	21.20	22.20	23.20	24.20	25.40	24.90	24.40	23.90	25.40	0.3				
AB2	Distance between horizontal striping back	19.60	19.90	20.50	21.20	22.20	23.20	24.20	25.40	24.90	24.40	23.90	25.40	0.3				
	Position from hem meas at sideseam	9	9	9	9	9	9	9	9	9	9	9	9	0.3				
AC1	Position from hem front	9	9	9	9	9	9	9	9	10.75	12.5	14.25	15.5					
AC2	Position from hem back	14	14	14	14	14	14	14	14	14	14	14	14					
AD1	Position measured from HSP Front	32.2	32.7	33.0	33.3	34.3	35.3	36.3	37.6	39.3	41.1	42.8	44.6					
AD2	Position measured from CB neck	30.1	30.6	31.0	31.3	32.3	33.3	34.3	35.1	36.8	38.6	39.8	41.6					
	Top striping from armhole	5	5	5	5	5	5	5	5	5	5	5	5					